

ELX guide luminaire

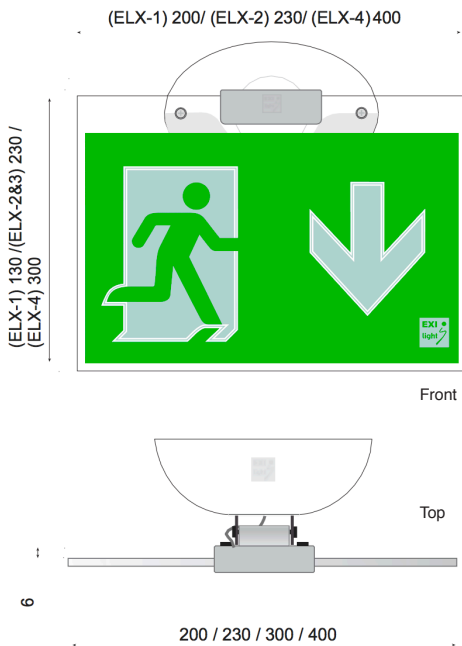
The frame and supports of ELX guide luminaires are made of ABS plastic. The guide sign itself is acrylic. ELX guide luminaires are available with three different visual ranges: 24, 42 and 60 metres. The luminaire's IP class is 41, reaching 55 with the sealing flange. The guide luminaires are available as single-sided and double-sided versions.

ELX guide luminaires can be mounted on ceilings and on walls. Flush mount frames are also available for these luminaires.

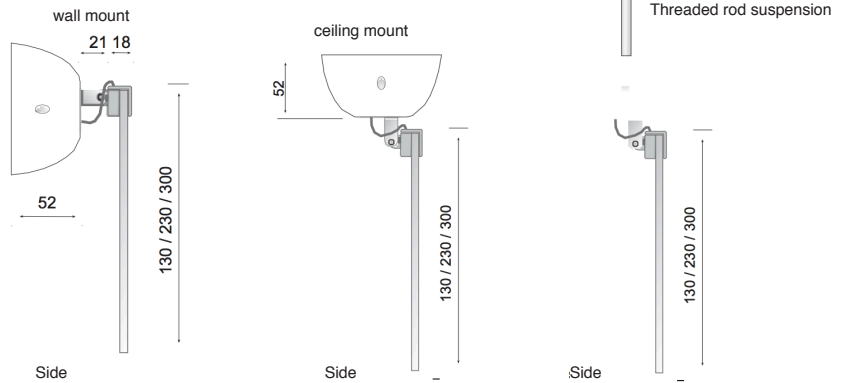
Typical applications for ELX guide luminaires are office and commercial premises, day care centres, schools, hospitals, health centres and sports centres. As the sealing flange ensures a high IP class, these luminaires can also be used in damp and dusty environments, such as parking garages.



* Dimensions



* Installation



* Accessories

- EXLT 3 sealing flange IP 55
- UPK-ELX1-2 flush mount frame

* Supports

- EXK5 threaded rod flange for suspension
- LPK 1 flag support

All our products are reliable, bear the CE marking, and comply with the effective EN standards, as well as EMC and LVD Directives. Material – ABS plastic. Housing – IP 41, or with the sealing flange IP 55. Standard colour white (RAL 9016). The products are also available in grey (RAL 7040) and black (RAL 9017). Battery run time 3 hours.

Addressable luminaires

| TYPE | ELECTRICAL NUMBER | VOLTAGE | POWER INPUT | LIGHT SOURCE | IP CLASS | VISUAL RANGE | MOUNTING | BATTERY |
|-----------|-------------------|---------|-------------|--------------|----------|--------------|---------------------------------------|------------------------|
| ELX-1C | | 65 V DC | 2 W | LED | 41 (55) | 24m | KLMA 2x0,8+0,8 | Li-Ion 7,4 V / 600 mAh |
| ELX-1C-A | 4212712 | | | | | | | |
| ELX-1C-AA | 4218912 | | | | | | | |
| ELX-1C-O | 4218913 | | | | | | | |
| ELX-1C-V | 4218914 | | | | | | | |
| ELX-1P | | 65 V DC | 2 W | LED | 41 (55) | 24m | FRHF - JE- H(St)H..Bd 2x0,8+0,8 | central battery system |
| ELX-1P-A | 4212713 | | | | | | | |
| ELX-1P-AA | 4218915 | | | | | | | |
| ELX-1P-O | 4218916 | | | | | | | |
| ELX-1P-V | 4218917 | | | | | | | |
| ELX-2C | | 65 V DC | 2 W | LED | 41 (55) | 42m | KLMA 2x0,8+0,8 | Li-Ion 7,4 V / 600 mAh |
| ELX-2C-A | 4212714 | | | | | | | |
| ELX-2C-AA | 4218918 | | | | | | | |
| ELX-2C-O | 4218919 | | | | | | | |
| ELX-2C-V | 4218920 | | | | | | | |
| ELX-2P | | 65 V DC | 2 W | LED | 41 (55) | 42m | FRHF - JE- H(St)H..Bd 2x0,8+0,8 | central battery system |
| ELX-2P-A | 4212715 | | | | | | | |
| ELX-2P-AA | 4218921 | | | | | | | |
| ELX-2P-O | 4218922 | | | | | | | |
| ELX-2P-V | 4218923 | | | | | | | |
| ELX-4C | | 65 V DC | 2 W | LED | 41 (55) | 60m | KLMA 2x0,8+0,8 | Li-Ion 7,4 V / 600 mAh |
| ELX-4C-A | 4212718 | | | | | | | |
| ELX-4C-AA | 4218930 | | | | | | | |
| ELX-4C-O | 4218931 | | | | | | | |
| ELX-4C-V | 4218932 | | | | | | | |
| ELX-4P | | 65 V DC | 2 W | LED | 41 (55) | 60m | FRHF - JE- H(St)H..Bd 2x0,8+0,8 | central battery system |
| ELX-4P-A | 4212719 | | | | | | | |
| ELX-4P-AA | 4218933 | | | | | | | |
| ELX-4P-O | 4218934 | | | | | | | |
| ELX-4P-V | 4218935 | | | | | | | |

O - Right V - Left AA - Double-sided down A - Down

24V and 230V luminaires

| TYPE | ELECTRICAL NUMBER | VOLTAGE | POWER INPUT | LIGHT SOURCE | IP CLASS | VISUAL RANGE | MOUNTING | BATTERY |
|--------------|-------------------|-------------|-------------|--------------|----------|--------------|--------------|------------------------|
| ELX-1L | | 230 V AC/DC | 3 W | LED | 41 (55) | 24m | -o- 3x2,5mm2 | central battery system |
| ELX-1L-A | 4212567 | | | | | | | |
| ELX-1L-AA | 4218828 | | | | | | | |
| ELX-1L-O | 4212568 | | | | | | | |
| ELX-1L-V | 4212569 | | | | | | | |
| ELX-1L/24 | | 24 V DC | 3 W | LED | 41 (55) | 24m | -o- 3x2,5mm2 | central battery system |
| ELX-1L/24-A | 4212570 | | | | | | | |
| ELX-1L/24-AA | 4218868 | | | | | | | |
| ELX-1L/24-O | 4212571 | | | | | | | |
| ELX-1L/24-V | 4212572 | | | | | | | |
| ELX-2L | | 230 V AC/DC | 3 W | LED | 41 (55) | 42m | -o- 3x2,5mm2 | central battery system |
| ELX-2L-A | 4212573 | | | | | | | |
| ELX-2L-AA | 4218829 | | | | | | | |
| ELX-2L-O | 4212574 | | | | | | | |
| ELX-2L-V | 4212575 | | | | | | | |
| ELX-2L/24 | | 24 V DC | 3 W | LED | 41 (55) | 42m | -o- 3x2,5mm2 | central battery system |
| ELX-2L/24-A | 4212576 | | | | | | | |
| ELX-2L/24-AA | 4218869 | | | | | | | |
| ELX-2L/24-O | 4212577 | | | | | | | |
| ELX-2L/24-V | 4212578 | | | | | | | |
| ELX-4L | | 230 V AC/DC | 3 W | LED | 41 (55) | 60m | -o- 3x2,5mm2 | central battery system |
| ELX-4L-A | 4212585 | | | | | | | |
| ELX-4L-AA | 4218831 | | | | | | | |
| ELX-4L-O | 4212586 | | | | | | | |
| ELX-4L-V | 4212587 | | | | | | | |
| ELX-4L/24 | | 24 V DC | 3 W | LED | 41 (55) | 60m | -o- 3x2,5mm2 | central battery system |
| ELX-4L/24-A | 4212588 | | | | | | | |
| ELX-4L/24-AA | 4218999 | | | | | | | |
| ELX-4L/24-O | 4212589 | | | | | | | |
| ELX-4L/24-V | 4212590 | | | | | | | |

O - Right V - Left AA - Double-sided down A - Down

Battery pack powered luminaire

| MODEL | ELECTRICAL NUMBER | VOLTAGE | POWER INPUT | LIGHT SOURCE | IP CLASS | VISUAL RANGE | MOUNTING | BATTERY |
|---------------|-------------------|----------|-------------|--------------|----------|--------------|------------|----------------------|
| ELX-1L/B3h | | 230 V AC | 3W | LED | 41 (55) | 24 m | -o-3x1,5mm | Li-ion 7,4V / 600mAh |
| ELX-1L/B3h-A | 4212734 | | | | | | | |
| ELX-1L/B3h-AA | 4212792 | | | | | | | |
| ELX-1L/B3h-O | 4212793 | | | | | | | |
| ELX-1L/B3h-V | 4212794 | | | | | | | |
| ELX-2L/B3h | | 230 V AC | 3W | LED | 41 (55) | 42 m | -o-3x1,5mm | Li-ion 7,4V / 600mAh |
| ELX-2L/B3h-A | 4212735 | | | | | | | |
| ELX-2L/B3h-AA | 4212797 | | | | | | | |
| ELX-2L/B3h-O | 4212795 | | | | | | | |
| ELX-2L/B3h-V | 4212796 | | | | | | | |
| ELX-4L/B3h | | 230 V AC | 3W | LED | 41 (55) | 60 m | -o-3x1,5mm | Li-ion 7,4V / 600mAh |
| ELX-4L/B3h-A | 4212737 | | | | | | | |
| ELX-4L/B3h-AA | 4218801 | | | | | | | |
| ELX-4L/B3h-O | 4218802 | | | | | | | |
| ELX-4L/B3h-V | 4218803 | | | | | | | |

O - Right V - Left AA - Double-sided down A - Down