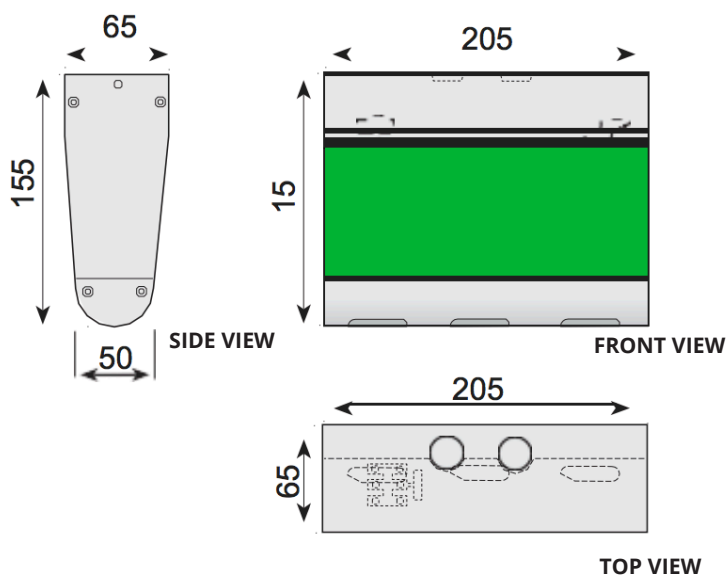


ELL-1



ELL-1 is a guide luminaire with a viewing distance of 20 metres. The plastic-body luminaire uses an LED light source. It is available in one and two-sided models. Guide luminaire features a downlight for additional illumination under the sign. Light fitting can be wall or ceiling mounted. ELL-1 is IP44 rated.

Typical applications include schools, day-care centres, shared facilities in buildings, car parks and various office premises.





EXIOT LUMINAIRES

TYPE	ELECTRICAL NO. (FI)	VOLTAGE	POWER INPUT	LIGHT SOURCE	IP CLASS	RANGE	MOUNTING	BATTERY
ELL-1W-A	4129207	230 V	2 W	LED	44	20 m	MMJ 3×1,5mm2	Li-Ion 7,4 V / 600 mAh
ELL-1W-AA	4129208	230 V	2 W	LED	44	20 m	MMJ 3×1,5mm2	Li-Ion 7,4 V / 600 mAh
ELL-1W-O	4129209	230 V	2 W	LED	44	20 m	MMJ 3×1,5mm2	Li-Ion 7,4 V / 600 mAh
ELL-1W-V	4129210	230 V	2 W	LED	44	20 m	MMJ 3×1,5mm2	Li-Ion 7,4 V / 600 mAh
ELL-1W-OV	4129211	230 V	2 W	LED	44	20 m	MMJ 3×1,5mm2	Li-Ion 7,4 V / 600 mAh

ADDRESSABLE LUMINAIRES

TYPE	ELECTRICAL NO. (FI)	VOLTAGE	POWER INPUT	LIGHT SOURCE	IP CLASS	RANGE	MOUNTING	BATTERY
ELL-1C-A	4212670	65 V DC	2 W	LED	44	20 m	-o- KLMA 2×0,8+0,8	Li-Ion 7,4 V / 600 mAh
ELL-1C-AA	4218884	65 V DC	2 W	LED	44	20 m	-o- KLMA 2×0,8+0,8	Li-Ion 7,4 V / 600 mAh
ELL-1C-O	4218885	65 V DC	2 W	LED	44	20 m	-o- KLMA 2×0,8+0,8	Li-Ion 7,4 V / 600 mAh
ELL-1C-OV	4218886	65 V DC	2 W	LED	44	20 m	-o- KLMA 2×0,8+0,8	Li-Ion 7,4 V / 600 mAh
ELL-1C-V	4218887	65 V DC	2 W	LED	44	20 m	-o- KLMA 2×0,8+0,8	Li-Ion 7,4 V / 600 mAh
ELL-1P-A	4212671	65 V DC	2 W	LED	44	20 m	FRHF - JE-H(St) H..Bd 2×0,8+0,8	Central battery system
ELL-1P-AA	4218888	65 V DC	2 W	LED	44	20 m	FRHF - JE-H(St) H..Bd 2×0,8+0,8	Central battery system
ELL-1P-O	4218889	65 V DC	2 W	LED	44	20 m	FRHF - JE-H(St) H..Bd 2×0,8+0,8	Central battery system
ELL-1P-OV	4218890	65 V DC	2 W	LED	44	20 m	FRHF - JE-H(St) H..Bd 2×0,8+0,8	Central battery system
ELL-1P-V	4218891	65 V DC	2 W	LED	44	20 m	FRHF - JE-H(St) H..Bd 2×0,8+0,8	Central battery system

24V AND 230V LUMINAIRES

TYPE	ELECTRICAL NO. (FI)	VOLTAGE	POWER INPUT	LIGHT SOURCE	IP CLASS	RANGE	MOUNTING	BATTERY
ELL-1L-A	4212669	230 V AC/DC	3 W	LED	44	20 m	-o- 3×2,5mm2	Central battery system
ELL-1L-AA	4218816	230 V AC/DC	3 W	LED	44	20 m	-o- 3×2,5mm2	Central battery system
ELL-1L-O	4218817	230 V AC/DC	3 W	LED	44	20 m	-o- 3×2,5mm2	Central battery system
ELL-1L-OV	4218818	230 V AC/DC	3 W	LED	44	20 m	-o- 3×2,5mm2	Central battery system
ELL-1L-V	4218819	230 V AC/DC	3 W	LED	44	20 m	-o- 3×2,5mm2	Central battery system
ELL-1L/24-A	4212512	24 V DC	3 W	LED	44	20 m	-o- 3×2,5mm2	Central battery system
ELL-1L/24-AA	4218856	24 V DC	3 W	LED	44	20 m	-o- 3×2,5mm2	Central battery system
ELL-1L/24-O	4218857	24 V DC	3 W	LED	44	20 m	-o- 3×2,5mm2	Central battery system
ELL-1L/24-OV	4218858	24 V DC	3 W	LED	44	20 m	-o- 3×2,5mm2	Central battery system
ELL-1L/24-V	4218859	24 V DC	3 W	LED	44	20 m	-o- 3×2,5mm2	Central battery system