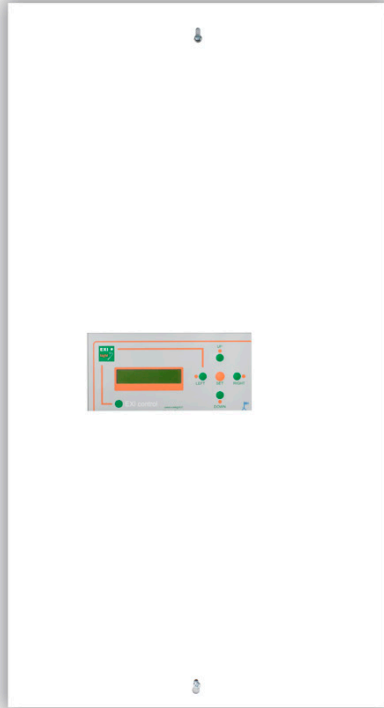


# ESC-200P



ESC-200P is addressable emergency lighting system where control and monitoring are carried out centrally at a monitoring centre. All luminaires in the system are addressable LED luminaires. Guide and emergency luminaires can be installed in the same line.

Communication between the luminaires and the centre takes place through the same cable with power supply. Cabling is installed normally using a fireproof cable that complies with the regulations. FRHF – JE-H(St) H..Bd 2 × 0.8 + 0.8 is recommended.

ESC-200P has two luminaire buses that are divided into groups. Each bus can be connected to 100 guide or emergency luminaires. Luminaires to be used will have a predefined address data, which the central unit can identify automatically. Separate programming of the luminaires is not needed.

ESC-200P centre monitors the connected luminaires continuously and carries out statutory monthly testing independently. It automatically logs details on completed tests as well as any faults and error messages. System uses model P luminaires.

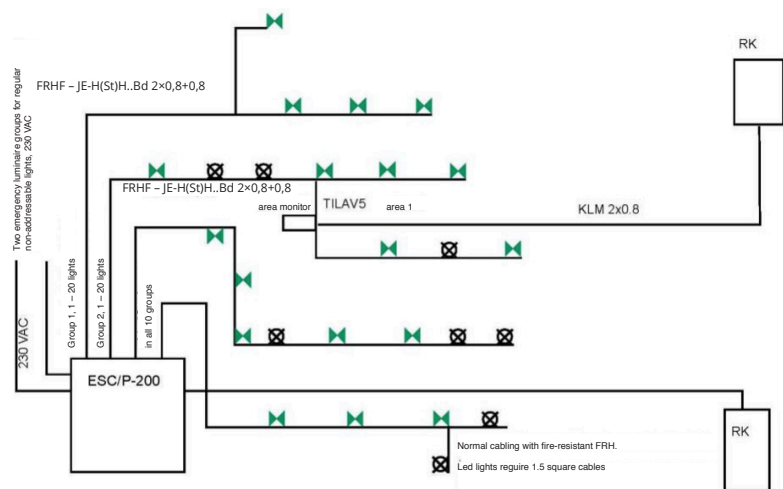
Monitoring of luminaires can be supported with EXI-BACNET GW, a monitoring application installed on a computer, or with the EXICloud cloud service. Monitoring is more relevant in sites with a higher number of luminaires. Applications can make it easier to locate luminaires at the site.

### Area monitoring.

Distribution boards equipped with 3-voltage monitors with a contact signal to the emergency lighting centre or an area monitor.

### Note!

Centre has two 230 VAC groups for emergency luminaires, and they can be used for connecting any 230 VAC emergency luminaires. Voltage monitor for distribution board, type JV230



### ESC-200P

TYPE	ELECTRICAL NO. (FI)	DIMENSIONS	SUPPLY	TRANSFORMER	BUS VOLTAGE	LIGHT OUTPUTS	QTY OF LIGHTS	QTY OF GROUPS
ESC-200P/16	7117546	900x480x230	230V AC, 10A	230V AC/49V AC, 500VA	65V DC	2	16	100 kpl / line