



PRODUCT CATALOGUE GUARD

Push bar to open

GUARD ESCAPE SQ ST

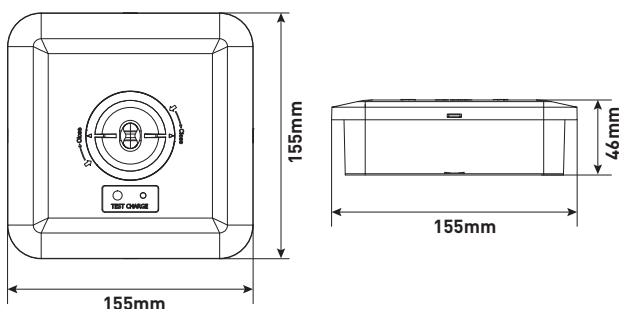
IP65 LED Surface Emergency Down Light



Product Features

- Open area/corridor 2 lenses included and replaceable
- Open area 280lm, corridor 230lm
- LiFePO4 battery
- Australia D40 class
- IP65

DIMENSIONS



Specification

Model No.	SESS
Voltage	AC220-240V 50/60Hz
Emergency Power	2.2W
Lumen	Open area - 280lm Corridor - 230lm
EM Duration	3 hours
Color Temp	6500K
Ambient Temp	5- 45°C
Function	Non-Maintained Standard/Self Test
Battery	LiFePO4 3.2V 3000mAh
Dimension	155x155x46mm
IP Grade	IP65
Material	PC
Certificate	TUV CB/CE/RoHS
Warranty	4 years(battery 2 years)



GUARD ESCAPE RO ST

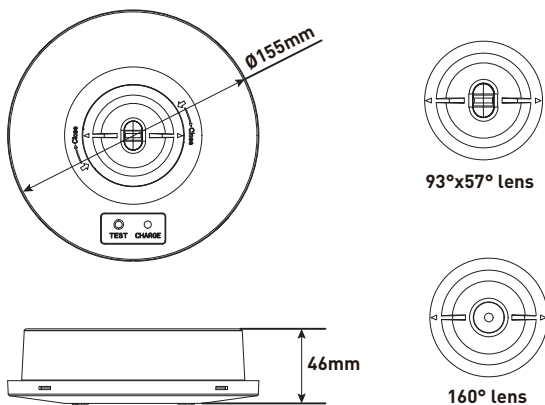
IP65 LED Surface Emergency Down Light



Product Features

- Open area/corridor 2 lenses included and replaceable
- Open area 280lm, corridor 230lm
- LiFePO4 battery
- Australia D40 class
- IP65

DIMENSIONS



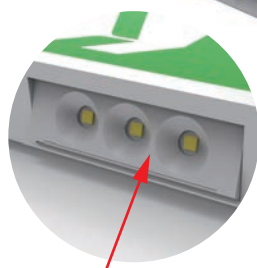
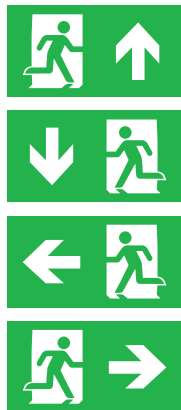
Specification

Model No.	SESR
Voltage	AC220-240V 50/60Hz
Emergency Power	2.2W
Lumen	Open area - 280lm Corridor - 230lm
EM Duration	3 hours
Color Temp	6500K
Ambient Temp	5- 45°C
Function	Non-Maintained Standard/Self Test
Battery	LiFePO4 3.2V 3000mAh
Dimension	155x46mm
IP Grade	IP65
Material	PC
Certificate	TUV CB/CE/RoHS
Warranty	4 years (battery 2 years)



GUARD EVOX ST

Single Side LED Exit Sign

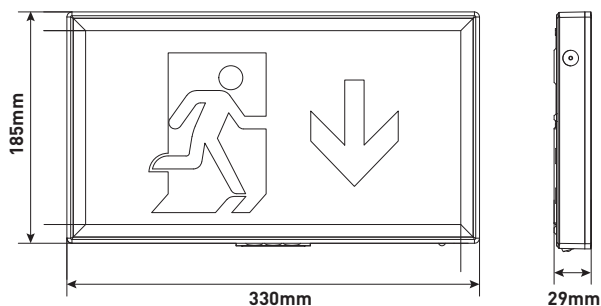


Adjustable angle

Product Features

- Ultra slim modern design
- Viewing distance: 30M(EU), 24M(AU)
- With angle adjustable down light
- With 4pcs pictogram(up, down, left, right)
- LiFePO4 battery

DIMENSIONS



Specification

Model No.	SCLI
Voltage	AC220-240V 50/60Hz
Emergency Power	<4W
Viewing Distance	30M(EU)/24M(AU)
EM Duration	1H/3H/8H
Color Temp	6500K
Ambient Temp	5- 45°C
Function	Maintained/Non-Maintained Standard/Self Test
Battery	LiFePO4 3.2V 1500mAh
Dimension	330x185x29mm
IP Grade	IP20
Material	PC
Mounting	Wall mounting
Certificate	TUV CB/CE/RoHS
Warranty	4 years(battery 2 years)



GUARD IP65 ST

LED Emergency Bulkhead



Recessed kit SGUP351RK



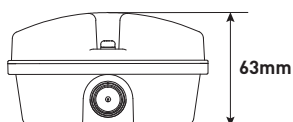
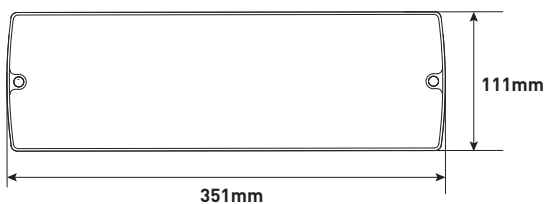
Exit diffuser kit SGUP351ED



Product Features

- Polycarbonate construction
- Built in easy-fit gear tray
- Maintained or non-maintained use
- 110V input available
- Self test and DALI available
- 3 hour emergency

DIMENSIONS



Specification

Model No.	SGUP
Voltage	AC220-240V 50/60Hz
Charging Power	3W
Lumen	150lm
EM duration	3 hours
Color Temp	6500K
Ambient Temp	0-40°C(Ni-Cd) 5- 45°C(LiFePO4)
Function	Maintained/Non-Maintained Standard/Self Test
Battery	LiFePO4 3.2V 1500mAh Ni-Cd 3.6V 1500mAh
Dimension	351x111x63mm
IP Grade	IP65
Material	PC
Mounting	Surface/Recessed Mounting
Certificate	TUV CB/CE/RoHS
Warranty	LiFePO4: 4 years(battery 2 years) Ni-Cd: 3 years(battery 1 year)



GUARD 30 PRO ST

Multi-Fix LED Emergency Exit Sign



Hanging kit SBLD-HK



Recessed kit SBLD-RK



Flag mounting SBLD-FK

Product Features

- Multi-fix method: surface, recessed, hanging, flag, wall mounting
- Viewing distance: 24M
- LED indicator
- LiFePO4 battery

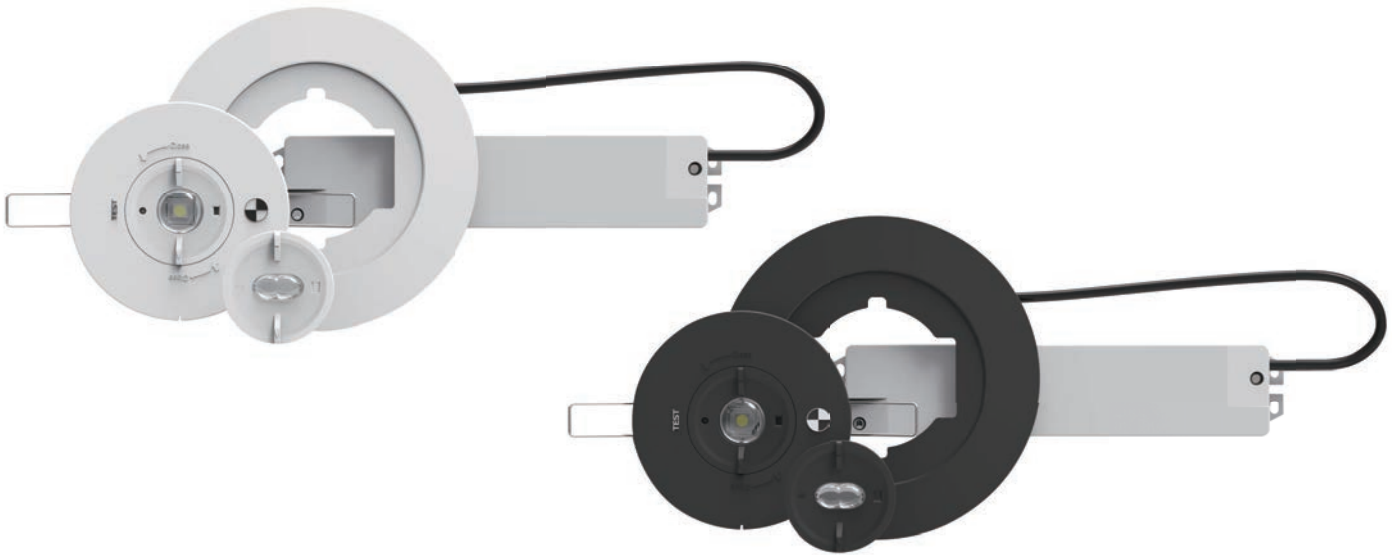
Specification

Model No.	SBLD
Voltage	AC220-240V 50/60Hz
Viewing Distance	24M
EM Duration	3 hours
Color Temp	6500K
Ambient Temp	5- 45°C
Function	Maintained/Non-Maintained Standard/Self Test
Battery	LiFePO4 3.2V 1500mAh
Dimension	310.5x210x36mm(Surface)
IP Grade	IP20
Material	PC
Mounting	Surface/Recessed/Hanging Wall/Flag mounting
Certificate	TUV CB/CE/RoHS
Warranty	4 years(battery 2 years)



GUARD SPOT ST

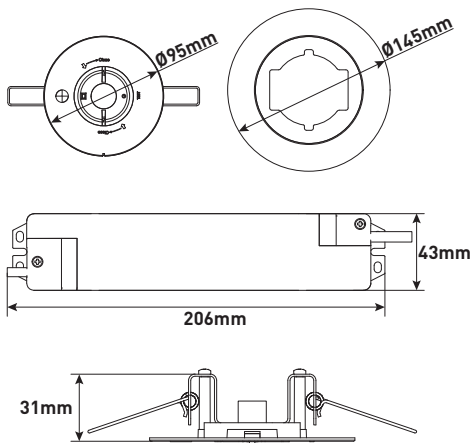
LED Emergency Down Light



Product Features

- Open area/corridor 2 lenses included and replaceable
- Open area 280lm, corridor 230lm
- LiFePO4 battery
- With D145mm large ring
- Australia D40 class

DIMENSIONS



Specification

Model No.	SSPP
Voltage	AC220-240V 50/60Hz
Emergency Power	<3W
Lumen	Open area - 280 lumens Corridor - 230 lumens
EM Duration	3 hours
Color Temp	6500K
Ambient Temp	5- 45°C
Function	Non-Maintained Standard/Self Test
Battery	LiFePO4 6.4V 1500mAh
Dimension	Lamp head: Ø95X31mm Converter: 206x43x23mm Big ring: Ø145mm
IP Grade	IP20
Material	PC
Mounting	Recessed mounting
Certificate	TUV CB/CE/RoHS
Warranty	4 years(battery 2 years)





EXILIGHT OY

EXILIGHT.FI
INFO@EXILIGHT.FI
EMAIL ADDRESSES:
FIRSTNAME.LASTNAME@EXILIGHT.FI

OFFICES

TAMPERE
AUTOKESKUKSENTIE 16
FI-33960 PIRKKALA
+358 10 773 5400

Exilight is constantly developing products and reserves a right to change technical documentation provided in the material.

