

LED guiding luminaire
ELX-1W/2W/4W



ELX-1W/2W/4W LED guiding luminaire

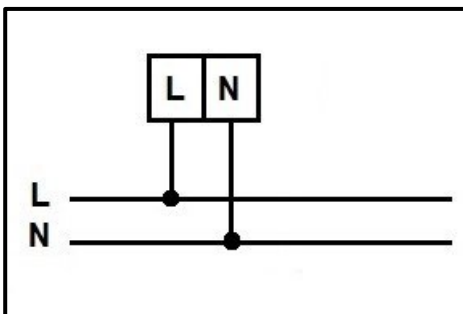
Wireless EXIoT guiding luminaire 230 VAC. Flexible and fast deployment for any construction site. Easy to expand the ATS system and all mandatory tests can be done automatically and/or remotely. It is possible also to connect different sensors into the EXIoT system.

Only original Exilight spare parts should be used with this product and it should only be used as the manufacturer has intended. Do not make any modifications to the product without written permission from the manufacturer.

Installation

Mechanical installation: Mount the luminaire housing onto ceiling/wall.

Electrical installation: When the luminaire is mounted onto preferred surface, connect the input voltage cable.



After installing you can scan the QR code, see page 4.

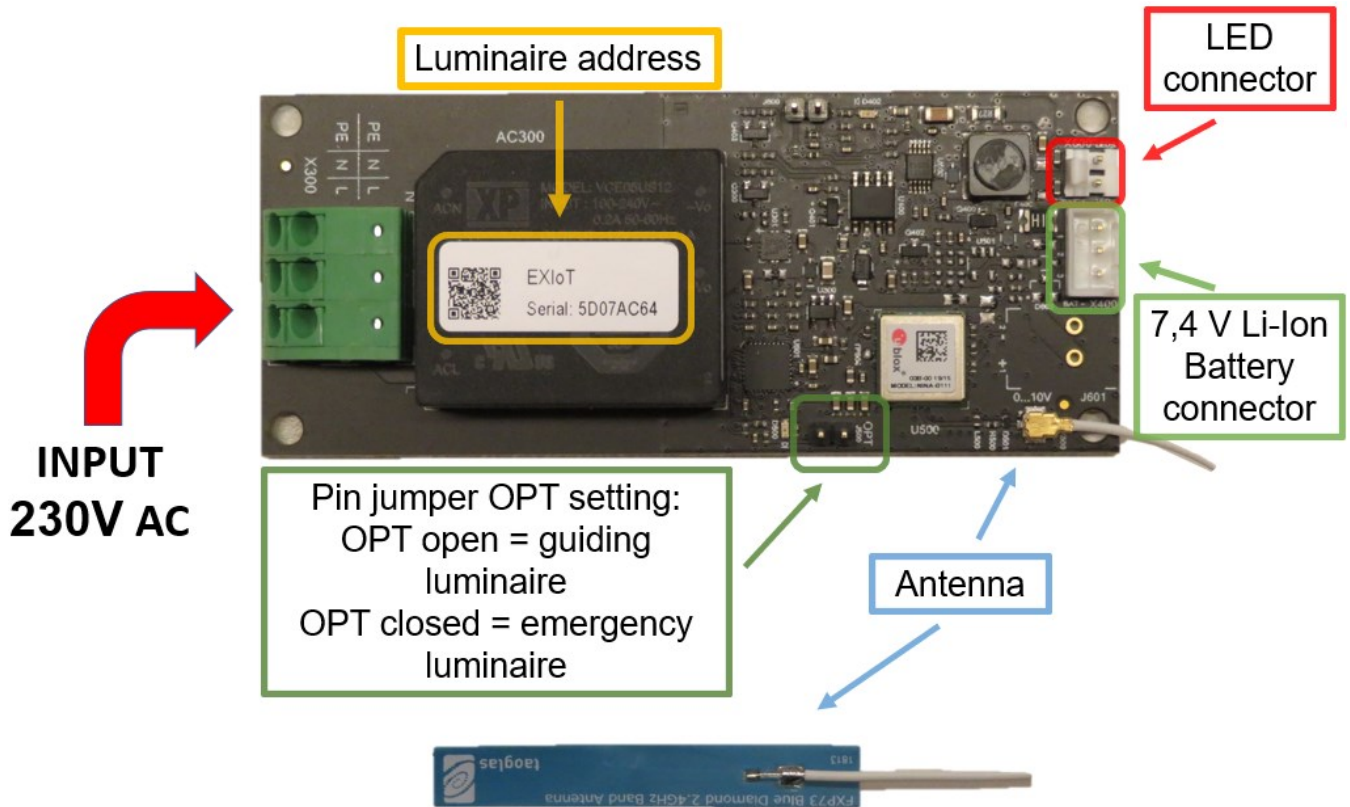
Technical data

Input voltage: 230 VAC
Power consumption: 3 W
Light source: LED
Protection: IP55
Materials: housing ABS,
sign PMMA
Colour: white
Installing: 3X1,5 MMJ
Battery: Li-Ion
7,4V/600mAh
Back up time: 3h
Mounting: ceiling/wall

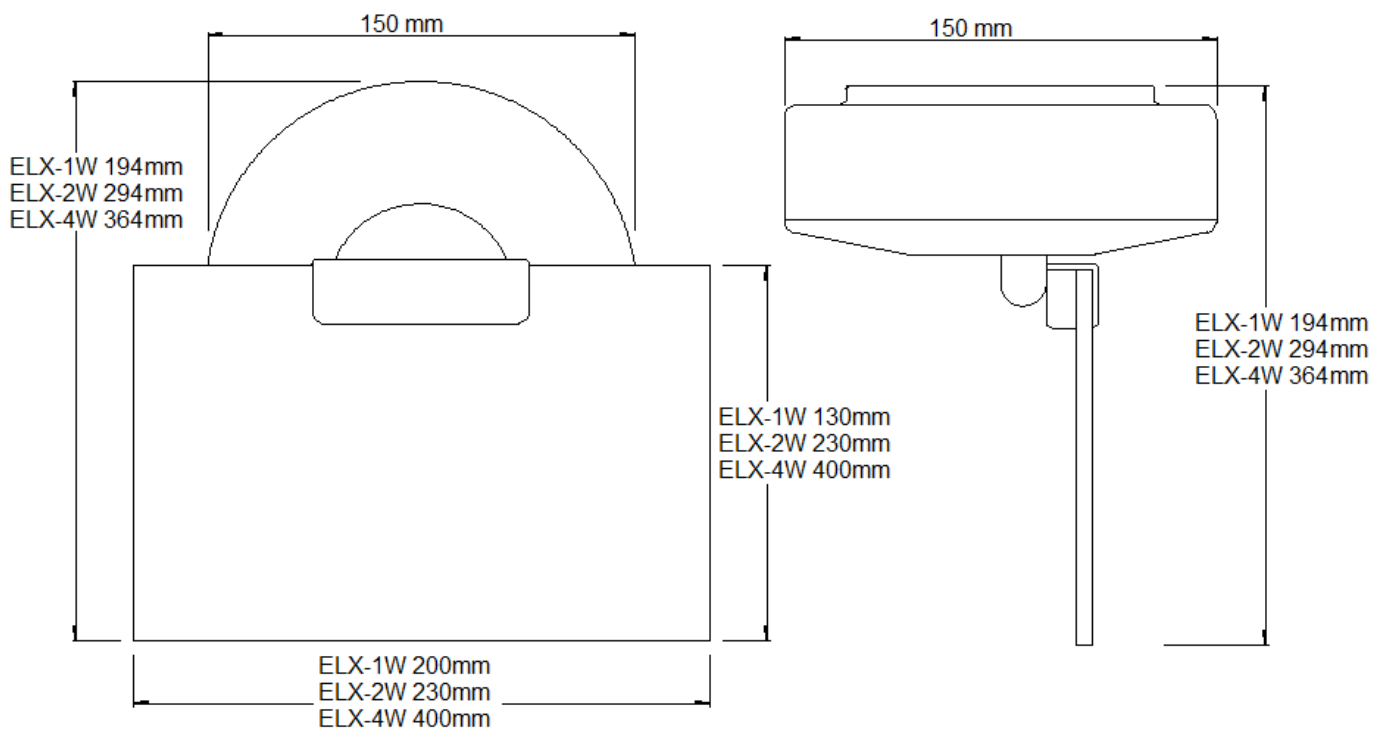
Changing the battery

Disconnect the main voltage. Take out the battery and let the PCB reset without the battery for 30 sec. Connect the new battery to the luminaire PCB. Return the main voltage and the battery starts charging. Battery may not have full charge when it is delivered from the factory. Please let the battery charge for 24h before testing.

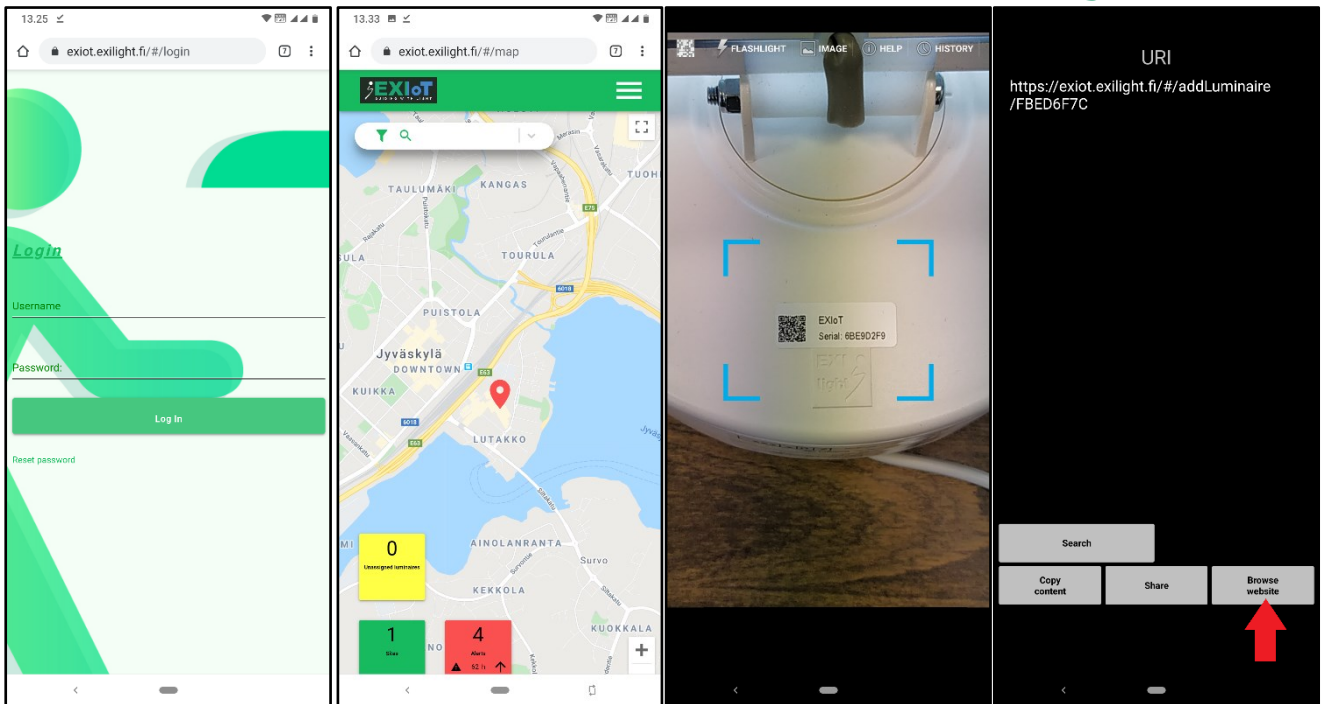
EXIoT wireless luminaire PCB



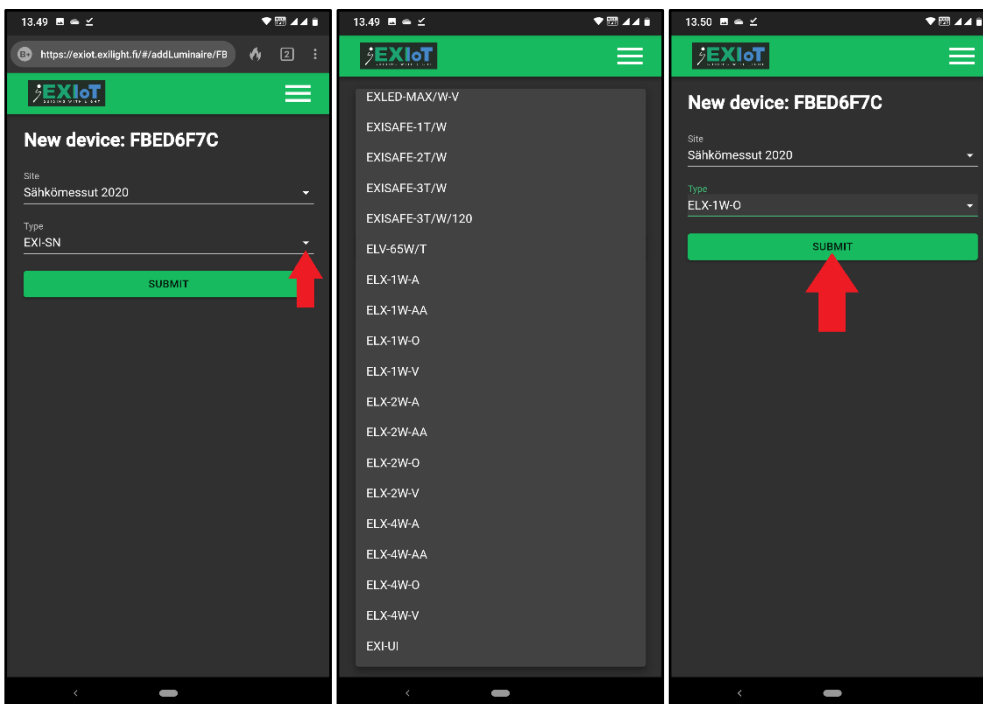
Dimensions



How to submit EXIoT luminaire into the system?



1. Sign into the EXIoT service 2. Scan the QR-code from the luminaire 3. Open the link



4. From drop list choose site and luminaire 5. Submit the luminaire into the site.