

EXIT LUMINAIRE
ELX-1C/2C/4C



ELX-1C/2C/4C EXIT LUMINAIRE

ELX-1C/2C/4C is addressable LED exit luminaire with 3h lithium battery. This luminaire is made to use only with Exilight ESC-200 system. The wiring should be done with cable with electrostatic screen, for example KLMA 2x0,8+0,8.

The installation and maintenance of the luminaire should be performed only by specialist.

Only original Exilight spare parts should be used with this product, and it should only be used as the manufacturer has intended. Do not make any modifications to the product without written permission from the manufacturer.

Installation

Bottom part of the luminaire should be mounted to the wall or ceiling. The top part should be attached to the bottom part after the electrical installation.

Once the luminaire has been mounted to the surface you can connect the input cable. After connecting the input make sure to connect the LED and battery connectors to the circuit board. When everything has been connected you can attach the top part of the light to the bottom part.

The luminaire has an address that has been already given by the manufacturer. The address can be seen in the circuit board, top part of the luminaire and there is also an extra address label to be attached to the electrical drawings.

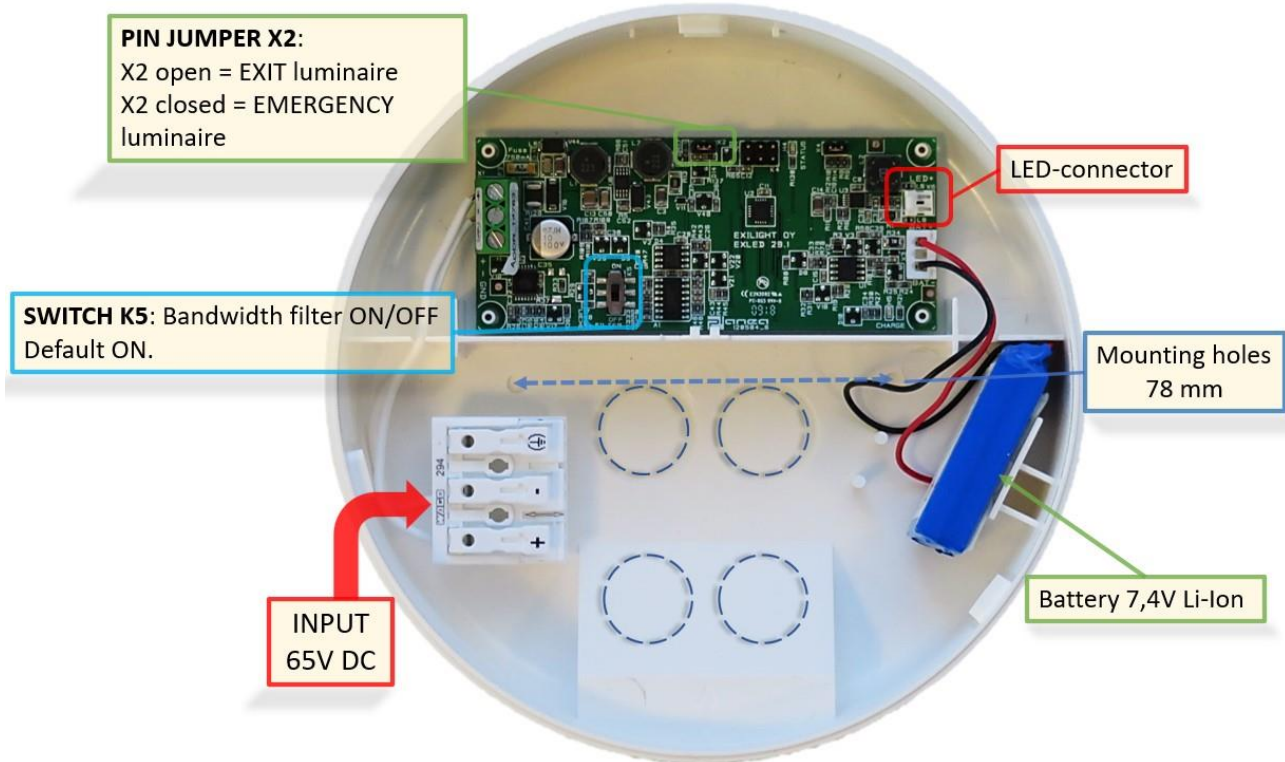
Technical data

Input voltage: 65 V DC
Power: 2 W
Light source: LED
IP-class: IP55
Housing: ABS, PMMA
Wiring: KLMA 2x0,8+0,8
Battery: Li-Ion 7,4V/600mAh
Backup time: 3 h
Mounting: ceiling /wall

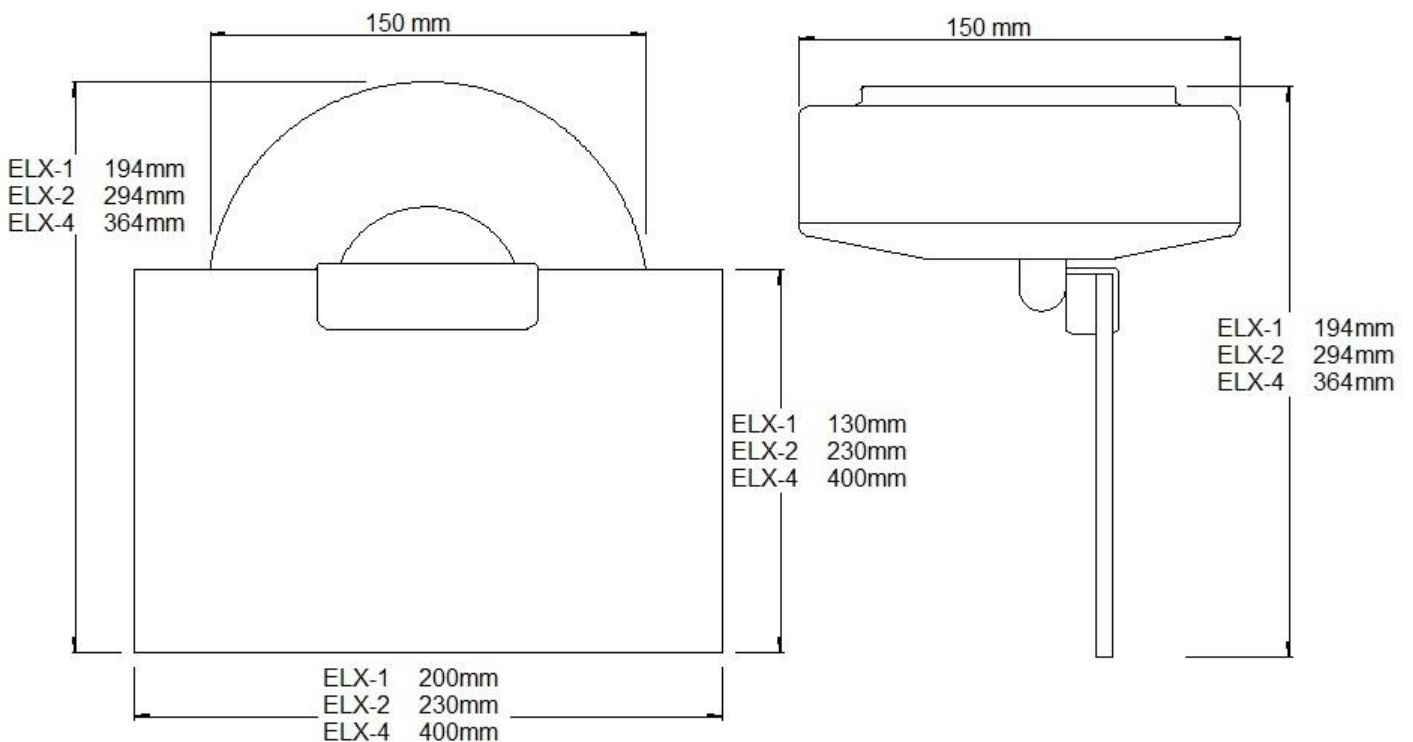
Changing the battery

Disconnect the circuit board and change the battery. After changing the battery with new one you can set off the Error Code from your ESC-200 Panel. Replacing the battery should always be done so that there is no voltage at the circuit board.

Connections



Dimensions





EXILIGHT OY

www.exilight.fi
info@exilight.fi

Pirkkala

Autokeskuksentie 16
FI-33960 Pirkkala

010 773 5400